

NINJA™

BL580VSM
Series

OWNER'S GUIDE

**WITH
FRESHVAC™
TECHNOLOGY**




ninjakitchen.sg | ninjakitchen.my

THANK YOU FOR PURCHASING

The Nutri Ninja™ with FRESHVAC™ Technology

REGISTER YOUR PURCHASE

 ninjakitchen.sg | ninjakitchen.my

 SG +65 800 120 5111
ML +60 1800 803 915

RECORD THIS INFORMATION

Model Number: _____

Serial Number: _____

Date of Purchase: _____
(Keep receipt)

Store of Purchase: _____

THIS BOOK COVERS MODEL NUMBER:

BL580VSM

TECHNICAL SPECIFICATIONS

Voltage: 220-240V~, 50-60Hz

Power: 1000 Watts

CUP CAPACITY:

700ml

PLEASE READ CAREFULLY AND KEEP FOR FUTURE REFERENCE.

These instructions are designed to help you get a complete understanding of your new Nutri Ninja™ with FreshVac™ Technology.

If you have any questions, please call our Customer Service line at SG +65 800 120 5111 or MY +60 1800 803 915

TIP: You can find the model and serial numbers on the label located on the back of the unit by the power cord.

GUARANTEE: This product is unconditionally guaranteed for one year against all defects of workmanship and materials. This guarantee does not affect your statutory rights. If this product proves unsatisfactory please contact our customer service department on SG +65 800 120 5111 or MY +60 1800 803 915.

CONTENTS

Important Safeguards	2
Getting to Know Your Nutri Ninja™ with FreshVac™ Technology	6
Before First Use	8
Features	9
Single-Serve Cup	9
Using Your Single-Serve FreshVac™ Cup	10
Care & Maintenance	14
Cleaning	14
Storing	14
Resetting the Motor Thermostat	14
Troubleshooting Guide	15
Replacement Parts	16
Product Registration	16

This appliance complies with the WEEE-Directive 2012/19/EU on the disposal of electrical and electronic equipment (WEEE).



This marking indicates that this product should not be disposed with other household wastes throughout the EU. To prevent possible harm to the environment or human health from uncontrolled waste disposal, recycle it responsibly to promote the sustainable reuse of material sources. To return your used device, please use the return and collection systems or contact the retailer where this product was purchased. They can take this product for environmental safe recycling.

This appliance complies with the European directives for electromagnetic compatibility (EMC) 2014/30/EU and its revisions, as well as Low Voltage Directive (LVD) 2014/35/EU and its revisions.

IMPORTANT SAFEGUARDS

HOUSEHOLD USE ONLY • READ ALL INSTRUCTIONS BEFORE USE

Read all instructions before using your NUTRI NINJA™ WITH FRESHVAC™ TECHNOLOGY

When using electrical appliances, basic safety precautions should always be followed, including the following:

⚠ WARNING

To reduce the risk of fire, electric shock, serious injury, death, or damage when using this appliance, follow these basic safety precautions.

General Precautions

- 1 Read all instructions prior to using the appliance and its accessories.
- 2 Carefully observe and follow all warnings and instructions. This unit contains electrical connections and moving parts that potentially present risk to the user.
- 3 **ALWAYS** exercise care when handling the Pro Extractor Blades™ Assembly. The blades are sharp. **ONLY** grasp the Pro Extractor Blades Assembly by the outer perimeter of the blade assembly base. Failure to use care when handling the blade assembly will result in a risk of laceration.
- 4 Take your time and exercise care during unpacking and appliance setup. This appliance contains sharp, loose blades that can cause injury if mishandled.
- 5 Take inventory of all contents to ensure you have all parts needed to properly and safely operate your appliance.
- 6 Blades are sharp. Handle carefully.
- 7 Turn the appliance **OFF**, then unplug the appliance from the outlet when not in use, before assembling or disassembling parts, and before cleaning. To unplug, grasp the plug by the body and pull from the outlet. **NEVER** unplug by grasping and pulling the flexible cord
- 8 Before use, wash all parts that may contact food. Follow washing instructions covered in this instruction manual.
- 9 To protect against the risk of electric shock, **DO NOT** submerge the appliance or allow the power cord to contact any form of liquid.
- 10 **DO NOT** use this appliance outdoors. It is designed for indoor household use only.
- 11 **DO NOT** operate any appliance with a damaged cord or plug, or after the appliance malfunctions or is dropped or damaged in any manner. This appliance has no user-serviceable parts. If damaged, contact SharkNinja for servicing.
- 12 Extension cords should **NOT** be used with this appliance.
- 13 **DO NOT** allow children to operate this appliance, to play with it, or use as a toy. Keep the appliance and its cord out of reach of children.
- 14 This appliance is **NOT** intended to be used by people with reduced physical, sensory, or mental capabilities, or lack of experience and knowledge, unless they are given supervision or instruction concerning use of the appliance by a person responsible for their safety.
- 15 Before each use, inspect blade assemblies for damage. If a blade is bent or damage is suspected, contact SharkNinja to arrange for replacement.

- 16 **DO NOT** attempt to sharpen blades.
- 17 **DO NOT** allow the unit or the cord to hang over the edges of tables or worktops. The cord may become snagged and pull the appliance off the work surface.
- 18 **DO NOT** allow any part of the unit to contact hot surfaces, including stoves and other heating appliances.
- 19 **ALWAYS** use the appliance on a dry and level surface.
- 20 **NEVER** place a blade assembly on the motor base without it first being attached to the cup.
- 21 Keep hands, hair, and clothing out of the container when loading and operating.
- 22 **ONLY** use attachments and accessories that are provided with the product or are recommended by SharkNinja. The use of attachments not recommended or sold by SharkNinja may cause fire, electric shock, or injury.
- 23 During operation and handling of the appliance, avoid contact with moving parts.
- 24 **DO NOT** operate the appliance with an empty container.
- 25 **DO NOT** fill containers past the **MAX FILL** or **MAX LIQUID** lines.
- 26 **DO NOT** microwave any containers or accessories provided with the appliance.
- 27 **DO NOT** perform grinding operations with the Single-Serve Cup and Pro Extractor Blades™ Assembly.
- 28 Before operation, ensure all utensils are removed from containers. Failure to remove utensils can cause containers to shatter and potentially result in personal injury and property damage.
- 29 **NEVER** operate the appliance without lids and caps in place.
- 30 **DO NOT** attempt to defeat the interlock mechanism. Ensure the container and lid are properly installed before operation.
- 31 **DO NOT** expose the containers and accessories to extreme temperature changes. They may experience damage.
- 32 **NEVER** leave the appliance unattended while in use.
- 33 **DO NOT** blend hot liquids. Doing so may result in pressure buildup and steam exposure that can pose a risk of the user being burned.
- 34 **DO NOT** attempt to remove the container and lids from the motor base while the blade assembly is still spinning. Allow the appliance to come to a complete stop before removing lid and container.
- 35 Remove the Pro Extractor Blades™ Assembly from the Single-Serve Cup upon completion of blending. **DO NOT** store ingredients before or after blending them in the cup with the blade assembly attached. Some foods may contain active ingredients or release gases that will expand if left in a sealed container, resulting in excessive pressure buildup that can pose a risk of injury. For ingredient storage in the cup, use only Spout Lid to cover.

SAVE THESE INSTRUCTIONS

IMPORTANT SAFEGUARDS

HOUSEHOLD USE ONLY • READ ALL INSTRUCTIONS BEFORE USE

Read all instructions before using your NUTRI NINJA™ WITH FRESHVAC™ TECHNOLOGY

When using electrical appliances, basic safety precautions should always be followed, including the following:

⚠ WARNING

To reduce the risk of fire, electric shock, serious injury, death, or damage when using this appliance, follow these basic safety precautions.

GENERAL PRECAUTIONS

- 36** If the appliance overheats, a thermal switch will activate and temporarily disable the motor. To reset, unplug the appliance and allow it to cool for approximately 30 minutes before using again.
- 37** The maximum wattage rating for this appliance is based on the configuration of the Pro Extractor Blades Assembly and Single-Serve Cup. Other configurations may draw less power or current.
- 38 DO NOT** process dry ingredients without adding liquid to the Single-Serve Cup. The Single-Serve Cup is not intended for dry blending.
- 39 DO NOT** spray the motor base with any liquids. Turn off and unplug the motor base before cleaning.

- 40 DO NOT** incinerate this appliance even if it is severely damaged. The batteries can explode in a fire.
- 41** Use certified AA size battery, follow instruction to insert batteries with correct polarity. Please remove batteries if appliance is to be stored unused for a long time.
- 42 DO NOT** charge non-rechargeable batteries. Do not mix different type batteries, or new and used batteries. Do not short-circuit supplier terminals. Exhausted batteries need to be removed and safely disposed of.
- 43** To protect against risk of electrical shock, **DO NOT** immerse the motor base in water or other liquid. **DO NOT** spray the motor base with any liquids. Turn off and unplug the motor base before cleaning.
- 44 DO NOT** operate pump during blending
- 45 DO NOT** operate pump upside down.
- 46 DO NOT** immerse pump in water or any other liquid.

GETTING TO KNOW YOUR NUTRI NINJA™ WITH FRESHVAC™ TECHNOLOGY

WELCOME!

Congratulations on your purchase. Use this instruction manual to learn about the great features of your Nutri Ninja with FreshVac™ Technology. From assembly to use to maintenance, you will find it all in here.

.....
If you have any questions, concerns or feedback, we'd love to hear from you. Give us a call on SG +65 800 120 5111 or MY +60 1800 803 915 or visit ninjakitchen.sg or ninjakitchen.my

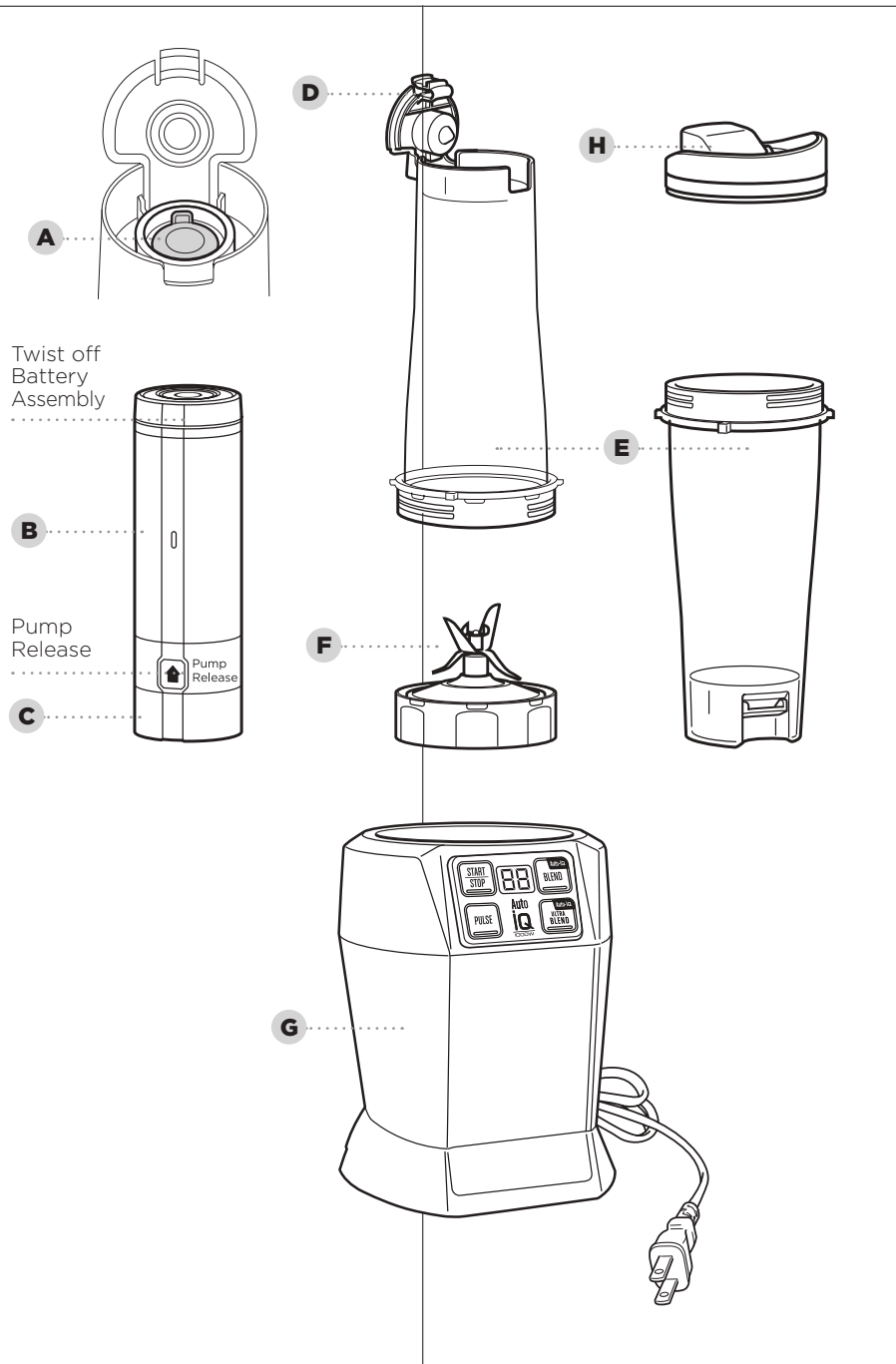
*600ml. max liquid capacity.

MAIN UNIT

- A** FreshVac™ Tab
- B** FreshVac™ Pump
- C** Overflow Reservoir
- D** Flip & Seal Cap
- E** 700ml Single Serve FreshVac™ Cups (x 2)*
- F** Pro Extractor Blades™ Assembly
- G** Motor Base with Power Cord
- H** Spout Lid (x2)

SAVE THESE INSTRUCTIONS

PARTS



BEFORE FIRST USE

IMPORTANT: Review all warnings on pages 2–5 before proceeding.

DID YOU KNOW?

- You can take your drinks on the go using the Spout Lids.
- The containers, blade assemblies, and lids are BPA free and dishwasher safe.

NOTE: Handle the Pro Extractor Blades™ Assembly by grasping around the perimeter of the blade assembly base.

NOTE: All attachments are dishwasher safe. It is recommended that the lids, containers and blade assemblies be placed on the top rack of the dishwasher. Ensure blade assemblies and lids are removed from their containers before placing in the dishwasher. Exercise care when handling blade assemblies. Overflow reservoir is hand wash only. Make sure Flip & Seal Lid is open during dishwasher cycle.

- Remove all packaging materials from the appliance. Exercise care when unpacking blade assemblies. All blade assemblies are sharp.
- Wash containers, lids, and blade assemblies in warm, soapy, water using a dishwashing utensil with a handle to avoid direct contact with the blades. Exercise care when handling blade assemblies, as the blades are sharp.
- Thoroughly rinse and air-dry all parts.
- Wipe screen with a soft, damp cloth. Allow it to dry completely before using.

INSTALLING THE BATTERIES

- Unscrew the FreshVac™ Pump's power button cap and remove the spring-loaded battery cover.
- Install 6 AA alkaline batteries (included), ensuring the +/- symbols on the batteries match the markings on the battery cover and battery housing.
- Replace the battery cover, making sure it is fully seated and clicked in place.
- Screw on the pump's power button cap.

NOTE: If the battery cover and power button cap are not properly installed or tightly in place, the pump will not function.

- White Light:** Vacuum sealing in progress
- Green Light:** Vacuum sealing complete
- If light blinks white and green, replace batteries or make sure they're properly installed.

USING THE OPTIONAL FRESHVAC POWER CORD:

If you prefer to power your FreshVac Pump using a power cord, you may purchase one on ninjakitchen.com

- Insert the mains plug into an electrical socket.
- Insert the barrel connector (small round end of the power cord) into the port on the pump.
- When the power cord is correctly attached, you will be able to turn on the FreshVac Pump.

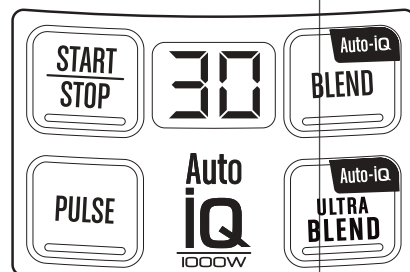
NOTE: Use only an optional power cord manufactured by SharkNinja. Other after-market adapters are not compatible with the FreshVac™ pump.

The power cord must only be supplied for safety at extra low voltage corresponding to the marking on the appliance.

FEATURES

AUTO-IQ™ PROGRAMS FOR THE SINGLE-SERVE CUP

Intelligent pre-set programs combine unique blending and pausing patterns that do the work for you. Once a pre-set program is selected, it will start immediately. Press the selected program again to pause it.



MANUAL SETTINGS:

START | STOP

Press once to start continuous running; press again to stop. Timer counts up by seconds, up to 60 seconds.

PULSE

Runs only while pressed down. Short presses create short pulses. Timer counts up by seconds as long as button is pressed down.

AUTO-IQ PROGRAMS:

AUTO-IQ SMOOTHIE

Make super-smooth, sippable drinks and shakes from fresh or frozen fruit, milk, liquids, and ice.

AUTO-IQ EXTRACT

Ideal for tough, leafy, or fibrous whole fruits and vegetables, including their skins, seeds, and stems.

VACUUM BLENDING WITH THE SINGLE-SERVE FRESHVAC™ CUP

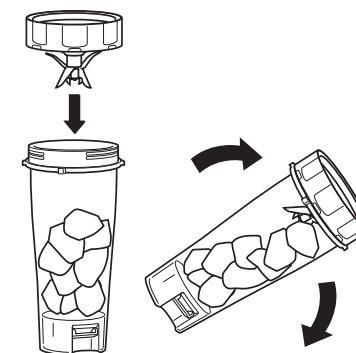
IMPORTANT: Review all warnings on pages 2-5 before proceeding.

Vacuum blending recommended

for extractions, smoothies, soups, dips, and dressings for brighter flavours, vibrant colours, and improved textures.

Non vacuum blending recommended

for whipped desserts that benefit from added air and frozen drinks with highly frozen ingredients for thicker results.

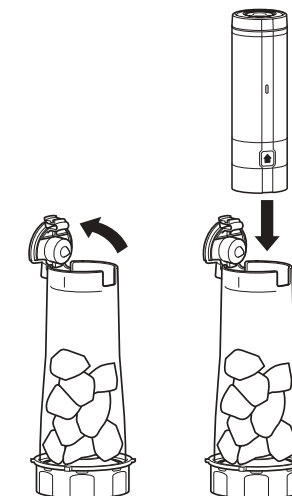


- 2 Place the Pro Extractor Blades™ Assembly on the top of the cup and turn clockwise to seal.
- 3 Turn cup upside down so the Flip & Seal Lid is on top and the bottom of the blade assembly is flat on the worktop.



- 1 Add ingredients to the FreshVac™ Cup. **DO NOT** add ingredients past the **MAX LIQUID** line on the cup.

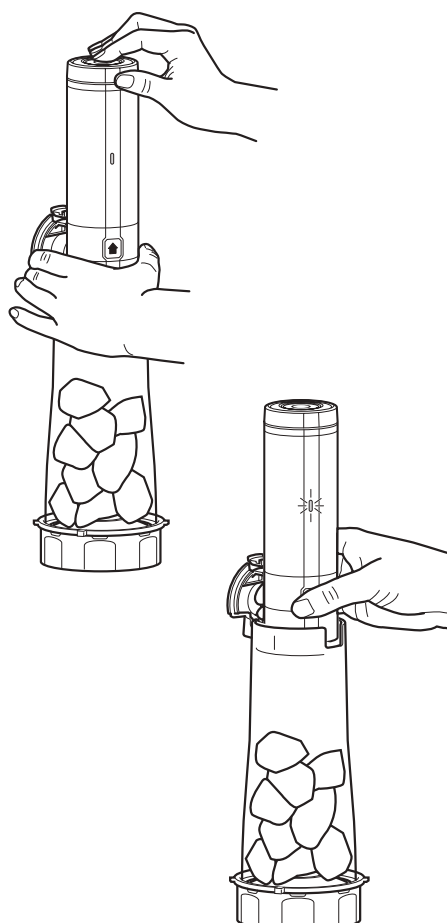
IMPORTANT: Overfilling the cup may cause harm to the FreshVac Pump when in use.



- 4 To open the Flip & Seal Lid, press and lift the latch. Place the FreshVac™ Pump on top of the FreshVac™ Tab.

IMPORTANT: Ensure FreshVac Tab is dry before using FreshVac Pump.

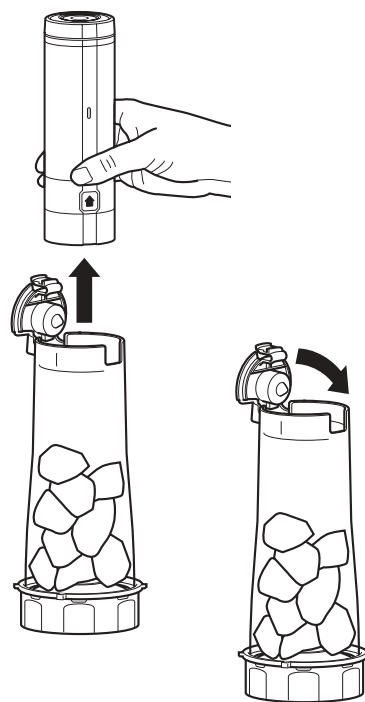
VACUUM BLENDING WITH THE SINGLE-SERVE FRESHVAC™ CUP - CONT



- 5** To vacuum seal the cup, place the pump over the tab. Press the power button on top of the pump to begin vacuum sealing. The pump will make a motorised noise and the light on the pod will illuminate in white while vacuum sealing is in progress. You do not need to hold the pump in place while vacuum sealing.

IMPORTANT: Do not use FreshVac™ Pump after blending, as this could damage your pump.

- 6** When vacuum sealing is complete, the pump will shut off automatically and the green light on the pump will illuminate.
- 7** To release the pump from the cup, press the pump release button on the bottom front of the pump and lift.



- 8** Close the Flip & Seal Lid. Press it closed until it clicks into place.
- 9** To blend ingredients, follow instructions on page 12.

When blending is complete, pressure must be released from the cup through the FreshVac™ Tab before opening the lid. See step 7 on the next page for more information.

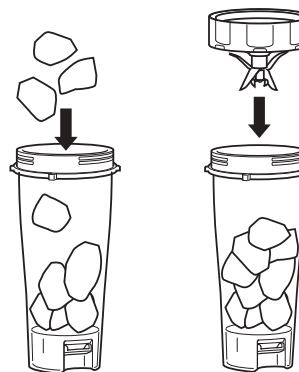
IMPORTANT: Review all warnings on pages 2-5 before proceeding.

SINGLE-SERVE FRESHVAC™ CUP WITH VACUUM SPOUT LID



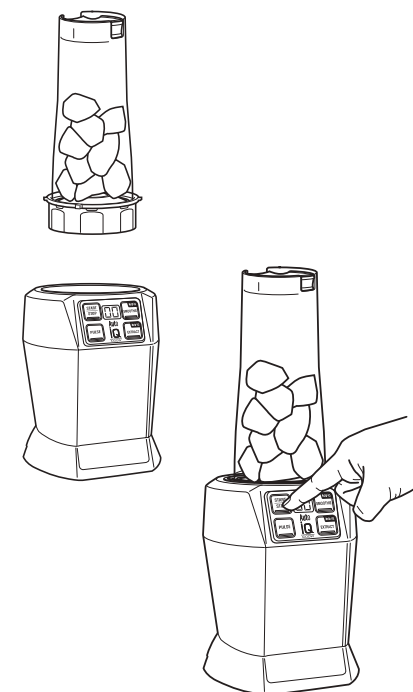
- 1** Place the unplugged motor base on a clean, dry, and level surface such as a worktop or table. Press downward on the motor base to adhere the suction cups to the work surface. Plug the motor base into a socket.

- 2** Add ingredients to the Single-Serve Cup. **DO NOT** add ingredients past the **MAX LIQUID** line on the cup.



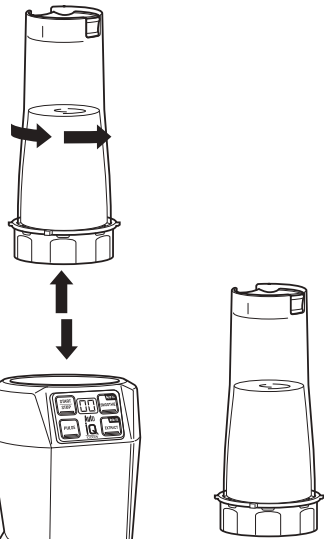
- 3** Install the Pro Extractor Blades™ Assembly onto the top of the cup. Twist the lid clockwise until it's sealed tightly.

- 4** Turn the Single-Serve Cup upside down and install onto the motor base. Align the tabs on the cup with the slots on the base, then twist until it clicks into place. When the unit is connected to power and the container is correctly locked onto the motor base, the program buttons will illuminate and the unit will be ready for use.

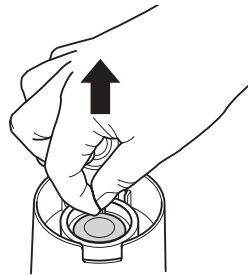


- 5** If using a pre-set program, select the program that best suits your recipe. The pre-set feature will automatically stop the unit at the end of the program. To pause the unit at any time, press the currently active program a second time. Reference page 9 for program descriptions.

TRADITIONAL BLENDING INSTRUCTIONS

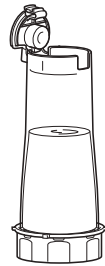


- 6** When blending is complete, remove the cup from the motor base and place on the worktop with the Pro Extractor Blade Assembly on the bottom. To remove the cup from the motor base, turn the cup anti-clockwise and then lift it.

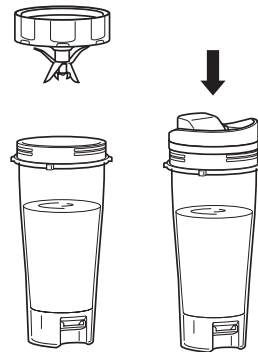


- 7** Open the flip-top vacuum-seal lid and pull on the green release tab to release the vacuum seal. You will not be able to remove the lid without releasing the vacuum seal.

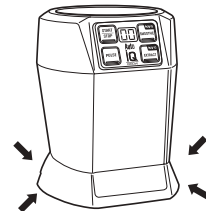
DO NOT PULL TAB OUT



- 8** Close the Flip and Seal Lid—you will hear a click when it is properly closed.



- 9** Remove the Pro Extractor Blade Assembly and place the vacuum spout lid on the cup to take your blended contents on the go.



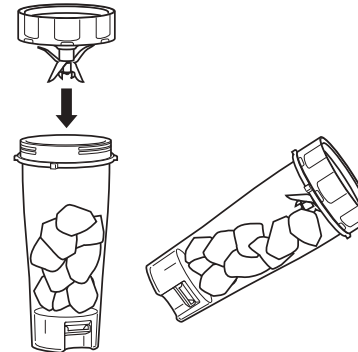
- 10** Unplug the unit when finished. To release the motor base, place your hands underneath both sides of the motor base and gently pull the unit up and towards you. Refer to page 14 for storing instructions.

IMPORTANT: Review all warnings on pages 4-7 before proceeding.

Non vacuum blending recommended for whipped desserts that benefit from added air and frozen drinks with highly frozen ingredients for thicker results.



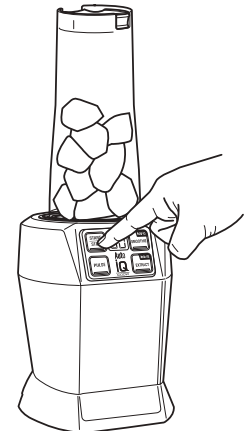
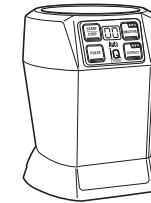
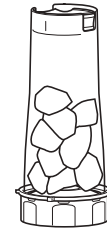
- 1** Add ingredients to the FreshVac Cup. **DO NOT** add ingredients past the **MAX LIQUID** line on the cup.



- 2** Place the Pro Extractor Blades™ Assembly on the top of the cup and turn clockwise to seal.

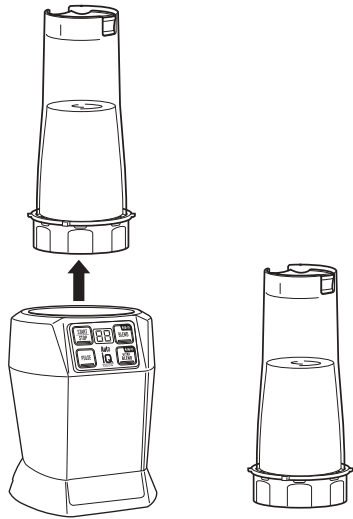
- 3** Turn cup upside down so the Flip & Seal Lid is on top and the bottom of the blade assembly is flat on the worktop flat on the counter.

- 4** Turn the Single-Serve FreshVac Cup upside down and install onto the motor base. When the unit is correctly locked into the motor base, program lights will illuminate.

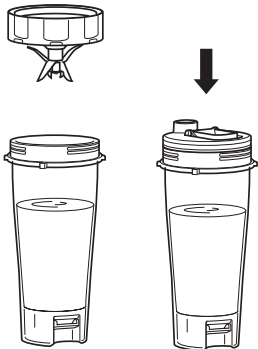


- 5** If using a pre-set program, select the program that best suits your recipe. The pre-set feature will automatically stop the unit at the end of the program. To pause the unit at any time, press the currently active program a second time. Reference page 11 for program descriptions.

CARE & MAINTENANCE



- 6** When blending is complete, lift the cup up and out of the motor base. Pressure must be released before opening the cup (see step 14 below). **DO NOT** store contents in the cup with the Pro Extractor Blades™ Assembly attached.



- 7** Turn cup over so blade assembly is on top. Rotate blade assembly anti-clockwise to remove. To take your blended contents on the go, place the spout lid on cup and turn clockwise to seal.



- 8** Unplug the unit when finished. To lift the motor base, place your hands underneath both sides of it and gently pull the unit up and toward you. Refer to the Care & Maintenance section for storing instructions.

CLEANING

- 1 Separate all parts.
- 2 Wash all containers in warm, soapy water with a soft cloth.

3 Hand-Washing

Wash cups, lids, blade assembly, and overflow reservoir in warm, soapy water. Use a dishwashing utensil with handle to avoid direct contact with the blades. Exercise care when handling the blade assembly as the blades are sharp. Thoroughly rinse and air-dry all parts.

TIP: If you find residue underneath the FreshVac™ Tab, try lifting it gently and rinsing under warm water.

DO NOT remove FreshVac Tab.

Dishwasher

Cups, lids, and blade assembly are dishwasher safe. Place the cups, lids, and blade assembly on the top rack of the dishwasher **ONLY**. Ensure the blade assembly and lid are removed from the cup before placing in the dishwasher. Make sure Flip & Seal Lid on the cup is open before starting cleaning cycle.

NOTE: Overflow Reservoir is not dishwasher safe.

Motor Base

Turn off the unit and unplug the motor base before cleaning. Wipe motor base with a clean, damp cloth.

NEVER directly spray the base with water or other liquids.

DO NOT use abrasive cloths/pads/brushes to clean the base, as this can dull or scratch the surface.

FRESHVAC™ PUMP

NEVER submerge the pump in water or other liquid. To clean pump, apply an all-purpose cleaner to a soft cloth, such as microfibre, and wipe gently.

NEVER submerge the pump in water or other liquid. If you see water or other liquid in the overflow reservoir:

- 1 Remove overflow reservoir from pump and wash and dry it thoroughly.
- 2 Run pump for 10 seconds to clear any fluid.
- 3 Wipe pump clean with a soft cloth.
- 4 Reattach overflow reservoir to pump.

RESETTING THE MOTOR THERMOSTAT

This unit features a unique safety system that prevents damage to the motor and drive system should you inadvertently overload it. If the unit is overloaded, the motor will be temporarily disabled. Should this occur, follow the reset procedure below.

- 1 Unplug the unit from the electrical socket.
- 2 Allow the unit to cool for approximately 30 minutes.
- 3 Remove the container's lid and blade assembly. Empty the container and ensure no ingredients are jamming the blade assemblies.

IMPORTANT: Ensure that maximum capacities are not exceeded. This is the most typical cause of appliance overload.

If your unit needs servicing, please call Customer Service on 0800 862 0453.

TROUBLESHOOTING GUIDE

WARNING: To reduce the risk of shock and unintended operation, turn power off and unplug unit before troubleshooting.

Unit doesn't turn on.

- Make sure unit is plugged in.
- Place cup on base and rotate it clockwise until it clicks into place.

Unit doesn't turn off.

- Remove cup from base by rotating it anti-clockwise and lifting it. Unplug the power cord from the socket.

Container does not reach a full vacuum seal

- FreshTab™ Tab is wet. Be sure all vacuum components are dry before using.
- Low battery. If your FreshVac Pump is taking longer than usual to pull a vacuum, try replacing the batteries.
- Overflow reservoir is incorrectly assembled. Before operating the pump, be sure the overflow reservoir is correctly assembled on bottom of the pump. Overflow reservoir should sit flush to pump.

• FreshVac Pump won't turn on

- Ensure that working batteries are installed correctly in the pump and the battery cover is securely in place.
- If using an optional power cord, make sure it is manufactured by Ninja Kitchen. Other after-market adapters are not compatible with the pump.
- If using a SharkNinja power cord, make sure the connector is inserted fully into the pump.

FreshVac Pump won't turn off

The pump will shut off automatically once a vacuum seal is achieved. If a vacuum seal is not achieved, you will be able to remove the pump from the lid. If this happens, turn off the pump and check the following:

- Make sure the Pro Extractor Blades™ Assembly is tightly attached to the cup.
- Ensure the FreshVac Tab on the Flip & Seal Lid is properly installed.

Pump won't turn on.

- Ensure that working batteries are installed correctly in the pump, and the battery cover is securely in place.
- If using an optional mains plug adapter, make sure it is manufactured by Ninja Kitchen.. Other after-market adapters are not compatible with the pump.
- If using a Ninja Kitchen mains plug adapter, make sure the connector is inserted fully into the pump. **DO NOT** remove the tab from the lid.

Accidentally removed the FreshVac tab and need to reinstall

- In a case you accidentally remove the FreshVac Tab and need to reinstall, follow these easy steps. First ensure the FreshVac Tab matches up with the opening on the Flip & Seal Lid. Next, align the bottom side of the tab to match the shape of the opening on the cup. Then press the tab down until it is seated flat.

What do the lights on the FreshVac Pump mean?

- White LED light indicates the pump has been activated and vacuum sealing is in progress.
- Green LED light indicates vacuum sealing is complete. Pump will automatically shut off when complete.
- A blinking white and green light indicates the batteries have been loaded incorrectly or need to be replaced.

TROUBLESHOOTING GUIDE - Cont.

• Can't remove Pro Extractor Blades™ Assembly from cup

- Cup will be vacuum sealed shut after using the FreshVac Pump.
- Release the vacuum seal by gently pulling up on the FreshVac Tab.

FreshVac Pump does not lock onto cup

- Pump will not lock onto cup. Once pump is activated, the pump will seal to the cup and become secure.

FreshVac Pump is stuck on the cup

- To release the pump from the cup, press the pump release button (up arrow) and lift up.

Doesn't mix well; ingredients get stuck

- Using the pre-set programs is the easiest way to achieve great results. The pulses and pauses allow the ingredients to settle toward the blade assembly. If ingredients are routinely getting stuck, adding some liquid will usually help.
- When filling the cup, start with fresh fruit or veggies, then leafy greens or herbs. Next add liquids or yogurt, then seeds, powders, or nut butters. Finally, add ice or frozen ingredients.

Motor base won't stick to worktop or tabletop

- Make sure surface and suction feet are wiped clean. Suction feet will only stick to smooth surfaces.
- Suction feet will not stick on some surfaces such as wood, tile, and non-polished finishes.
- **DO NOT** attempt to use unit when the motor base is stuck to a surface that is not secure (cutting board, platter, plates, etc.). **Unit is difficult to remove from worktop for storage.**
- Place your hands underneath both sides of the motor base and gently pull the unit up and toward you.

REPLACEMENT PARTS

To order additional parts and accessories, visit ninjakitchen.sg or ninjakitchen.my or contact Customer Service on **SG** +65 800 120 5111 or **MY** +60 1800 803 915.

PRODUCT REGISTRATION

Please visit ninjakitchen.sg or ninjakitchen.my or call SG +65 800 120 5111 or MY +60 1800 803 915 to register your new Ninja™ product within 28 days of purchase. You will be asked to provide the store name, date of purchase, and model number along with your name and address.

The registration will enable us to contact you in the unlikely event of a product safety notification. By registering, you acknowledge you have read and understood the instructions for use and warnings set forth in the accompanying instructions.



Proudly distributed by

Mann&Noble Asia Pte Ltd
600 North Bridge Rd.,
#23-01 Parkview Square, Singapore 188778

Illustrations may differ from actual product. We are constantly striving to improve our products; therefore the specifications contained herein are subject to change without notice.

AUTO-IQ, SHARKNINJA, NINJA, and NUTRI NINJA are registered trademarks of SharkNinja Operating LLC. FRESHVAC and PRO EXTRACTOR BLADES is a trademark of SharkNinja Operating LLC.

For SharkNinja U.S. Patent information, visit sharkninja.com/uspatents

© 2019 SharkNinja Operating LLC
PRINTED IN CHINA

BL580VSM_IB_MP_Mv1